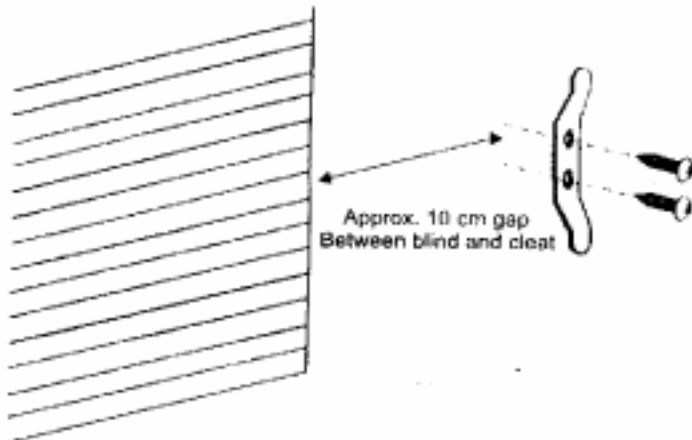


STEP THREE : Attaching Headrail to Brackets

- Remove Wing Nuts and Washers from the bolts on the bracket.
- Align slits of headrail with bolts on the bracket and slide headrail up.
- Secure blind to the bracket using the washers and wing nuts.



STEP FOUR : Installing Cord Cleat

Position the cord cleat about 10 cm out from the right hand side of your Sunweave™ blind and around half way up the height of the blind. Mark position through the holes and secure the cord cleat with the cord cleat screws.



WARNING!

To avoid the risk of strangulation, it is advisable to keep all pull cords out of the reach of children. Safety measures include :
 Installation of safety devices such as clamps and cleats that reduces the accessibility of the cord.
 Move cots and furniture away from the window to avoid accessibility to the cord.